

# SENTRY DCCP REBOILER

## Single Line Conditioning Modules

### SAMPLE CONDITIONING

The Sentry® DCCP Reboiler Degassed Cation Conductivity Panel is designed to optimize the analytical results for degassed cation conductivity. First, the panel uses an oversized heater and baffled vapor discharge chamber, which assures complete boiling and provides a steam blanket over a sample to eliminate any sample contamination that might occur due to discharge piping backflow on the exhaust vent. Second, after the sample is degassed, it is cooled with an additional sample cooler so that chemistry deviations in analyzer temperature compensation curves are reduced.

### MODEL

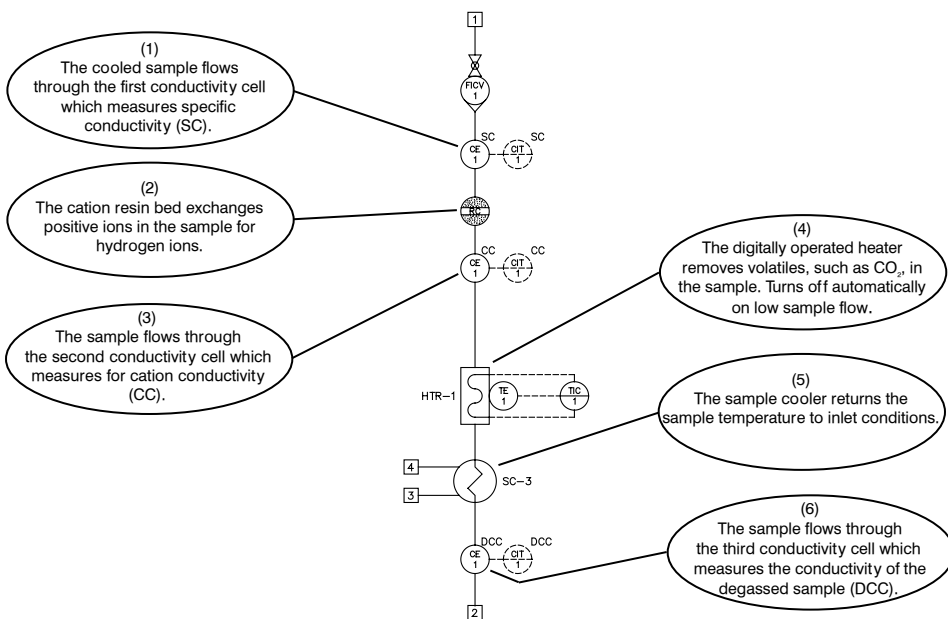
DCCP

### BENEFITS

The Sentry® DCCP is a complete panel that measures specific cation and degassed conductivity or any individual measurement needed. The custom analysis panels include degassed conductivity, dissolved oxygen (DO) and corrosion products sampling. The panel is designed to work with a wide variety of conductivity analyzers and provides simple and compact cycle chemistry validation.

### FEATURES

- Capable of measuring specific conductivity (SC), cation conductivity (CC) and degassed cation conductivity (DCC)
- Operates in accordance with ASTM D4519
- Sample cooler ensures CC and DCC probes receive identical sample temperatures, eliminating errors
- Compact wall-mount design



### Operation



**DASTEC S.R.L.**

Representantes / Distribuidores Exclusivos

Buenos Aires, Argentina

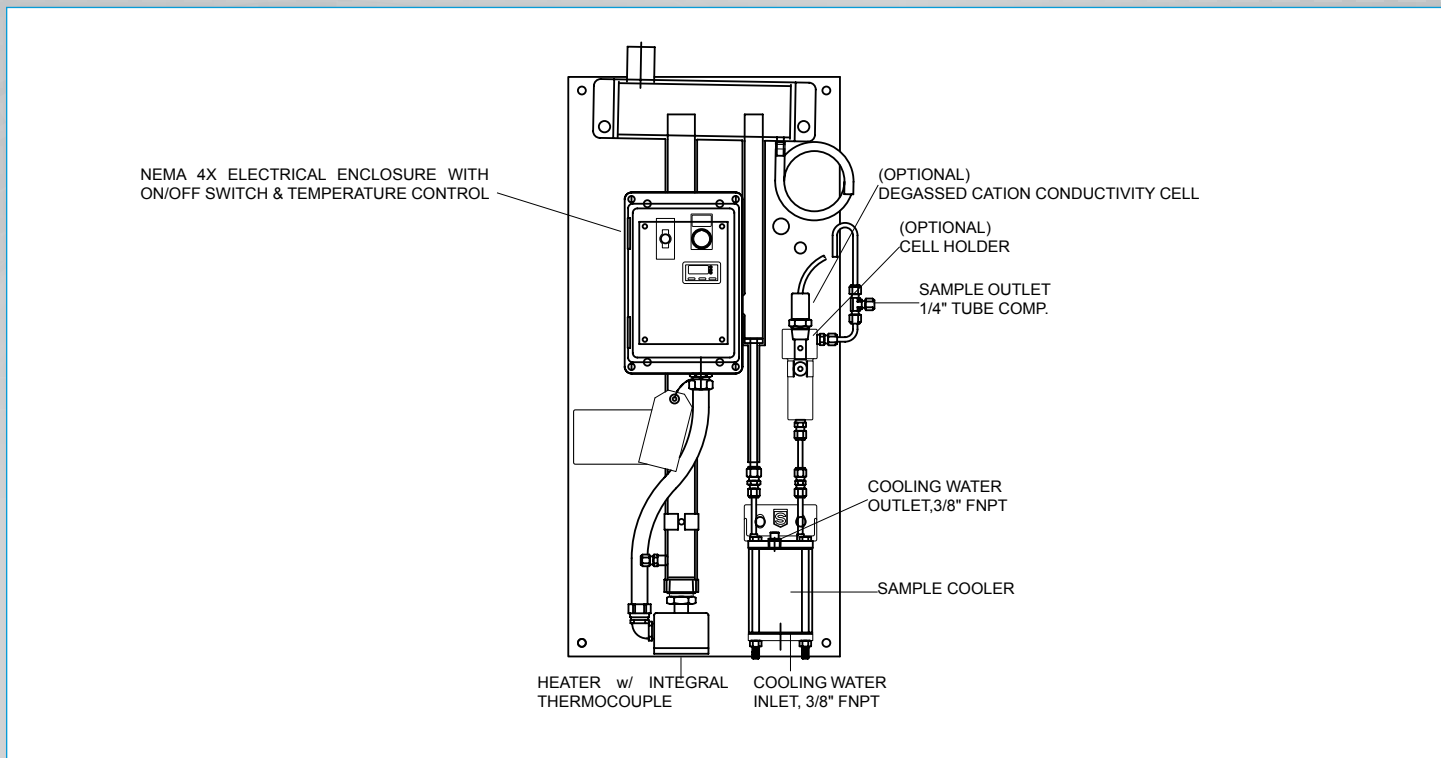
Tel.: (54 - 11) 5352-2500

Email: [info@dastecsrl.com.ar](mailto:info@dastecsrl.com.ar)

Web: [www.dastecsrl.com.ar](http://www.dastecsrl.com.ar)



Sample. Monitor. Measure.  
**SENTRY**  
Any Application. Anywhere.



SPECIFICATIONS			
<b>voltage</b>	<b>cell holders</b>	<b>flow indicator with valve</b>	<b>analyzers/probes</b>
1 = 110–120 VAC, 1 ph, 50/60 Hz 2 = 220–240 VAC, 1 ph, 50/60 Hz	0 = None 1 = DCC 2 = CC & DCC (with RC-100) 3 = SC, CC & DCC (with RC-100)	0 = none 1 = yes	0 = customer supplied 1 = supplied by Sentry Equipment Corp
<b>dimensions</b>	32 x 15 x 12 in. (81.28 x 38 x 30.5 cm.)		
<b>weight</b>	60 lb (27 kg)		
<b>pressure rating</b>	100 psig (7 barg)		
<b>temperature rating</b>	130°F (54°C) with RC-100 before degas		
<b>sample flow</b>	100–150 cc/min		
<b>sample inlet connection</b>	1/4 in tube fitting		
<b>sample outlet connection</b>	1/4 in tube fitting		
<b>sample cooler type</b>	TEB-4221		
<b>cooler cooling water connections</b>	3/8 in FNPT		
<b>cooling water consumption</b>	1–3 gpm (3.8–11.4 L/min)		
<b>input power</b>	110–120/220–240 VAC, 1 phase, 50/60 Hz		
<b>power consumption</b>	1.6 KVA		
<b>cell holders (optional)</b>	3/4 in FNPT, 316 SS		
<b>resin column (optional)</b>	Sentry RC-100		

**DASTEC S.R.L.**

**Representantes / Distribuidores Exclusivos**

Buenos Aires, Argentina

Tel.: (54 - 11) 5352-2500

Email: info@dastecsr.com.ar

Web: www.dastecsr.com.ar

[sentry-equip.com](http://sentry-equip.com)

966 Blue Ribbon Circle North, Oconomowoc, WI 53066 U.S.A. | +1-262-567-7256 | sales@sentry-equip.com

© 2015 Sentry Equipment Corp. All rights reserved. All product and company names are property of their respective owners. It is solely the responsibility of end users, through their own testing and analysis, to select products and materials suitable for their specific application requirements, ensure they are properly installed, safely applied and properly maintained, and to limit their use to their intended purpose. Improper selection, installation or use may result in personal injury or property damage.

S-SW-SPS-00149-13 6-16



COMPANY WITH  
QUALITY SYSTEM  
CERTIFIED BY DNV GL  
= ISO 9001 =