

## SERVOTOUGH FluegasExact 2700

HAZARDOUS AREA



GAS	MEASURES	APPLICATION
OXYGEN	PERCENT	PROCESS CONTROL
COMBUSTIBLES	TRACE PPM	COMBUSTION

### SENSING TECHNOLOGY



## ADVANCED FLUE GAS ANALYZER FOR HIGH-TEMPERATURE MEASUREMENT OF O<sub>2</sub> AND COMBUSTIBLES

### UNRIVALLED PERFORMANCE

- Uses industry-leading patented technologies (Zirconia cell and Thick Film Catalytic sensor) for ultra-accurate and reliable measurements
- Manufactured by Servomex - over 60 years' experience in pioneering gas analysis, with a global install base

### LOW COST OF OWNERSHIP

- Simple installation and low maintenance requirements
- Extractive sampling design protects from harsh process conditions, extending product life
- Long life, low-drift sensing technologies for reliability and extended calibration intervals
- Engineered design that extends maintenance intervals and permits field service

### FLEXIBLE

- Designed for Safe Area, Zone 2/Division 2 and ATEX Cat. 3 hazardous area rated locations
- Robust O<sub>2</sub> and COe analysis meets diverse application needs
- Configurable sampling options for exact fit

### BENCHMARK COMPLIANCE

- ATEX Cat. 3, IECEx Zone 2 & North America Class I, Div. 2

### EASY TO USE

- Optional Flowcube technology provides continuous flow monitoring for preventative maintenance
- Easy to maintain in the field

### KEY APPLICATIONS

- Process heaters
- Utility boilers
- Thermal crackers
- Crematoria
- Iron & steel
- Incinerators
- Biomass boilers

For more information please contact us  
Visit [servomex.com/contact](http://servomex.com/contact)

# PRODUCT OVERVIEW

## SERVOTOUGH FluegasExact 2700

HAZARDOUS AREA

### UNBEATABLE PERFORMANCE IN THE MOST CHALLENGING LOCATIONS

When you work in combustion analysis applications where high temperatures and particulates/dusts are occupational hazards, you need a gas analysis solution that offers rugged durability and unrivalled performance. Using a robust, fully heated stainless steel design, the FluegasExact is certified for Zone 2/Division 2 monitoring. High temperature and flow sensor options further extend operational performance.

### A NO COMPROMISE SOLUTION

At the heart of the SERVOTOUGH FluegasExact's exceptional performance are Servomex's patented Zirconium Oxide cell for oxygen measurement and a Thick Film catalytic sensor for measuring carbon monoxide and COe (combustibles). Combined, the performance of both technologies improves process control and helps reduce excess oxygen, reducing NOx, SO<sub>3</sub> and CO emissions and has been proven to save up to four percent of fuel costs per year.

Both sensors are installed within Servomex's custom-designed heated sensor head, which has a low-flow extractive design that can attach directly to the flue or can be remote mounted. Manufactured to the highest quality standards, this ensures exceptional performance in the toughest environments and with the minimum of maintenance.

### UNBEATABLE VALUE OVER PRODUCT LIFE

The ability to reduce ongoing maintenance costs and minimize long-term ownership costs is essential, while operational benefits like simple installation requirements are highly attractive. Supported by Servomex's global service network, which offers a complete package of support from commissioning to servicing, the FluegasExact delivers a long life of exceptional performance.

### USEFUL LINKS



PBTD5FluegasExact Rev.0 Date: 08/20

*These analyzers are not intended for any form of use on humans and are not medical devices as described in the Medical Devices Directive 93/42EEC.*

**Please note:** Whilst every effort has been made to ensure accuracy, no responsibility can be accepted for errors and omissions. Data may change, as well as legislation, and you are strongly advised to obtain copies of the most recently issued regulations, standards and guidelines. This document is not intended to form the basis of a contract.

Servomex has a policy of constant product improvement and reserves the right to change specifications without notice. © Servomex Group Limited. 2020. A Spectris company. All rights reserved.

# TECHNICAL DATA SHEET

## SERVOTOUGH FluegasExact 2700



### SPECIFICATIONS

GAS MEASURED	OXYGEN (O <sub>2</sub> )	COMBUSTIBLES (COe - CARBON MONOXIDE EQUIVALENT)		
TECHNOLOGY <sup>‡</sup>	Zirconium oxide (Zirconia)	Patented thick film catalytic sensor		
Typical combustion applications	All combustion applications	HIGH SENSITIVITY	SULFUR RESISTANT	
		Natural gas, light oil fuels Flue/sample gas SO <sub>x</sub> contents <500ppm	Sour gas, heavy oils, coal incinerator fuels Flue/sample gas SO <sub>x</sub> contents <2,500ppm	
<b>PERFORMANCE</b>				
Working range	0-21% O <sub>2</sub>	0-6,000ppm COe		
Intrinsic error (accuracy)	±1% of reading or ±0.1% O <sub>2</sub> *	±25ppm or ±5% of reading*	±75ppm or ±5% of reading*	
Measurement resolution	0.01% O <sub>2</sub>	1ppm recommended	10ppm recommended	
Drift (zero)	Per 3 months; <0.5% of range or 0.05% O <sub>2</sub>	<25ppm/week	<35ppm/week	
Repeatability	<0.1% O <sub>2</sub>	±25ppm or 5% of reading*	±50ppm or 5% of reading*	
Display range	0.01% to 25% O <sub>2</sub>	0-10,000ppm		
Min. recommended range	0-1% O <sub>2</sub> †	0-500ppm		
Recommended calibration frequency	12 months	1 month		
Cross sensitivity (under normal plant operating conditions)	No significant effect	Typical effect of common combustible flue gases per 1,000ppm		
		SO <sub>2</sub> <30ppm CH <sub>4</sub> <10ppm	<100ppm <50ppm	
<b>SYSTEM RESPONSE TIMES</b> T <sub>90</sub> (TYPICAL)				
MEASUREMENT	Sensor head (remote extraction systems)	<700°C, 1m long, stainless steel sample probe with sample filter	<1,000°C, 1m long, high temperature alloy sample probe with sample filter	<1,750°C, 1m long, ceramic sample probe with sample filter
O <sub>2</sub>	<10s	<17s	<17s	<20s
COMBUSTIBLES COe	<20s	<27s	<27s	<30s
<b>FLOWCUBE FLOW SENSOR</b>				
Repeatability	±20 ml/min at 200 ml/min (nominal sample flow)			
Response time (T <sub>90</sub> )	<20s			
Alarms & relays	Two SPCO relays (250V ac/3A or 28V dc/1A max), flow status alarm, and flow alarm system fault			

† Below 1% display shows low oxygen level warning

\* Whichever is greater

‡ The FluegasExact 2700 is not suitable for use as a primary safety measurement

The performance specification has been written and verified in accordance with the international standard IEC 61207-1:1994 "Expression of performance of gas analyzers"



SERVOMEX.COM

**SERVOMEX**  
a spectris company

SIGNAL OUTPUTS/INPUTS					
Analog output		One configurable isolated 0/4-20mA per measurement (recommended impedance 600Ω or less, 1kΩ max) O <sub>2</sub> output configurable from 0-1% min. to 0-25% max. O <sub>2</sub> in 1% steps COe output configurable from 0-500ppm to 0-15,000ppm (measurement range remains as above)			
Alarms & relays		Four SPCO relays (250V ac/3A or 28V dc/1A max), configurable for concentration alarms, faults, In calibration, In blowback, and solenoid valves control for blowback and autocalibration feature			
Digital inputs		Two non-isolated digital inputs provided to remotely initiate autocalibration and perform blowback			
PHYSICAL		CONTROL UNIT	SENSOR HEAD	FLOW ALARM RELAY BOX	PURGE CONTROLLER
Weight		<11kg (<24.3lbs)	<17kg (<37.5lbs)	<2.5kg (<5.5lbs)	7.5kg (16.5lbs)
Dimensions, WxDxH		391 x 167 x 260mm (15.4" x 6.6" x 10.3")	301 x 330 x 256mm (11.9" x 13.0" x 10.1")	120 x 120 x 80mm (4.7" x 4.7" x 3.1")	Depends on type, refer to Servomex Minipurge schematic detail
Mounting		Wall mount	Choice of mounting flanges and adaptors	Wall mount	Wall mount
Max altitude (installation)		2,000m (6,500 feet)			
OPERATING ENVIRONMENT					
Operation		-10°C to +55°C (+14°F to +131°F)	-20°C to +70°C (-4°F to +158°F)	-10°C to +50°C (-14°F to +122°F)	-20°C to +55°C (-4°F to +131°F)
Storage		-20°C to +55°C (-4°F to +131°F)	-30°C to +80°C (-22°F to +176°F)	-20°C to +70°C (-4°F to +158°F)	-20°C to +55°C (-4°F to +131°F)
UTILITIES					
Supply voltage		100-120V ac, 50/60 Hz or 220-240V ac, 50/60 Hz			
Rated power		Control unit 250VA, sensor head 600VA  Note: Control unit and sensor head are powered separately. Control unit power supply is fixed at time of order, but is field configurable. Sensor head supply voltage is factory set.  Mains power cable connected to sensor head should have minimum conductor size of 1.5mm <sup>2</sup>			
Sensor head aspirator supply		Gas	Instrument grade compressed air, free from oil and water (special aspiration available - consult Servomex)		
		Pressure	3.5psig typical (3 to 5psig - 0.2 to 0.3barg)		
		Flow	<1.5 l/min typical. >10 l/min during blowback		
CALIBRATION GAS REQUIREMENTS		CALIBRATION GAS COMPOSITION	OXYGEN SENSOR (Zr)	COMBUSTIBLES SENSOR (TFx)	
Pressure 1barg (15psig) Flow: 600 ml/min typical		Air (20.95% O <sub>2</sub> in nitrogen) Air must be free from combustible gases (eg CO, H <sub>2</sub> , hydrocarbons, etc)	Span (high)	Zero	
		0.3% O <sub>2</sub> in nitrogen (recommended) Gas composition can be between 0.25% and 2.5% O <sub>2</sub> in nitrogen	Zero (low)	N/A	
		1,000ppm carbon monoxide in air (recommended) Gas composition can be between 500ppm and 2,500ppm in air	N/A	Span	

\* Maximum loop resistance of 4Ω is required for zirconia cell heater connections with a minimum of 0.5mm<sup>2</sup> cross section



## INTERCONNECTING CABLE REQUIREMENTS

		CROSS SECTION MIN	LENGTH MAX
Oxygen only	3 twisted pairs with overall screen*	1.0mm <sup>2</sup> 1.5mm <sup>2</sup> 2.5mm <sup>2</sup>	100m 150m 300m
Combustibles	6 twisted pairs with individual and overall screens* cross section	0.5m	100m
Oxygen and combustibles	9 twisted pairs with individual and overall screens*  Note: Add 1 extra twisted pair if the optional sensor head temperature readout is required to be displayed by the control unit	0.5m	100m
Flow Sensor	3 cores with overall screen	1.0mm <sup>2</sup>	100m

## SAMPLE WETTED MATERIALS

	Sensor head	Oxygen sensor	Combustibles sensor	Flowcube	Unfiltered sample probe (<700°C)	Filtered sample probe (<700°C)	Filtered high temperature sample probe (700°C-1,000°C)	Ceramic sample probe (<1,750°C)
Stainless steel 303	•							
Stainless steel 310		•				•		
Stainless steel 316	•	•	•	•	•	•	•	•
Gasket sealing material	•							
Zirconia		•	•	•				
Platinum		•	•					
Platinum/iridium alloy			•	•				
Alumina		•	•					
Ni/Fe/Cr alloy		•						
Corrosion-resistant glass			•					
Graphite gasket			•					
Silicon carbide						•	•	
Incoloy 803*							•	
High temperature sealing glass		•		•				
High temperature ceramic								•

\* Or equivalent. Subject to change



## COMPLIANCE

HAZARDOUS AREA APPROVALS	ATEX	IECEX	cCSAus
CONTROL UNIT	<p>⊕ Ex II 3GD, Ex ic nA nC IIC T5 Gc (-10°C ≤ Ta ≤ +55°C) (Gases)</p> <p>⊕ Ex tc IIIB T75°C Dc IP65 (-10°C ≤ Ta ≤ +55°C) (Dusts)</p>	<p>IECEX ITS 12.0047X</p> <p>Ex ic nA nC IIC T5 Gc</p> <p>Ex tc IIIB T75°C Dc</p> <p>-10°C ≤ t<sub>amb</sub> ≤ 55°C</p>	<p>Class I, Div 2, Groups A, B, C &amp; D T5 (-10°C ≤ Ta ≤ +55°C)</p> <p>Class II, Div 2, Groups F &amp; G T5 (-10°C ≤ Ta ≤ +55°C)</p> <p>Class III, Div 1 T5 (-10°C ≤ Ta ≤ +55°C)</p> <p>Ex nA nC IIC T5 Gc</p> <p>Class I, Zone 2, AEx nA nC IIC T5 Gc (-10°C ≤ Ta ≤ +55°C)</p> <p>Zone 22 AEx tc IIIB T75°C Dc IP65</p>
SENSOR HEAD*	<p>⊕ Ex II 3G, Ex pz IIC T3/T2 Gc (-20°C ≤ Ta ≤ +70°C) (Gases)</p>	<p>Ex pz IIC T3/T2 Gc</p> <p>(-20°C ≤ Ta ≤ +70°C) (Gases)</p>	<p>Class I, Div 2, Groups A, B, C &amp; D T3/T2 (-20°C ≤ Ta ≤ +70°C)</p> <p>IP66</p>
PURGE CONTROLLER	<p>⊕ Ex II 2 (3) G D</p> <p>Ex (pzc) IIC T6 Gb</p> <p>Ex (pzc) IIIC T85°C Db</p> <p>T<sub>amb</sub> -20°C +55°C</p>	<p>Ex (pzc) IIC T6 Gb</p> <p>Ex (pzc) IIIC T85°C Db</p> <p>T<sub>amb</sub> -20°C +55°C</p>	<p>Class I, Div 2, Groups A, B, C &amp; D Type Z pressurization</p> <p>Class 1, Zone 2, Group IIC, T6 (-20°C ≤ Ta ≤ +55°C)</p>
FLOW ALARM RELAY BOX	<p>⊕ Ex II 3GD, Ex nA nC IIC T4 Gc (-20°C ≤ Ta ≤ +65°C) (Gases)</p> <p>⊕ Ex tc IIIC T75°C Dc IP66 (-20°C ≤ Ta ≤ +65°C) (Dusts)</p>	<p>Ex nA nC IIC T4 Gc</p> <p>(-20°C ≤ Ta ≤ +65°C) (Gases)</p> <p>Ex tc IIIC T75°C Dc IP66</p> <p>(-20°C ≤ Ta ≤ +65°C) (Dusts)</p>	<p>Class I, Div 2, Groups A, B, C &amp; D T4 (-20°C ≤ Ta ≤ +65°C)</p> <p>Class II, Div 2, Groups F &amp; G T4 (-20°C ≤ Ta ≤ +65°C)</p> <p>Class III, Div 1 T4 (-20°C ≤ Ta ≤ +65°C)</p> <p>Ex nA nC IIC T4 Gc</p> <p>Class I, Zone 2, AEx nA nC IIC T4 Gc (-20°C ≤ Ta ≤ +65°C)</p> <p>Zone 22, AEx tc IIIB T75°C Dc IP66</p>

\* The FluegasExact sensor head is not suitable for use in hazardous area / locations without the use of appropriate safety purge equipment.

EC DIRECTIVES	The FluegasExact 2700 complies with the EMC Directive, the Low Voltage Directive, RoHS II, and all other applicable directives.
ELECTRICAL SAFETY	Electrical safety to IEC 61010-1



## OPTIONS

CONFIGURATION OPTIONS	DESCRIPTION
Controller and sensor head options	The analyzer consists of a sensor head and a control unit which includes a backlit liquid crystal display (2 lines x 16 characters) and an eight-button keypad. The sensor head is suitable for installation in non-hazardous and hazardous areas when used with suitable purge - ATEX Cat. 3, IECEx Zone 2. The control unit is suitable for installation in non-hazardous and hazardous areas - ATEX Cat. 3, IECEx Zone 2, cCSAus Cl 1, Div 2. Further hazardous area approvals are pending, for more information consult Servomex.
Measurement and supply voltage	The unit can be supplied as an oxygen-only measurement or an oxygen and combustibles measurement analyzer. The analyzer can also be supplied with specially coated PCBs with enhanced environmental protection, for use in very humid environments. 110 and 220V AC available.
Combustible sensors	For natural gas and light oil applications with flue/sample with SO <sub>x</sub> contents <500ppm, our high sensitivity combustibles sensor is recommended. For sour gas, heavy oils, coal and incinerators with flue/sample with SO <sub>x</sub> content <2,500ppm our sulfur-resistant combustible sensor is recommended.
Flowcube internal flow sensor	Our Flowcube technology offers an internal solid state flow sensor fitted directly to the inlet of the measurement transducers, ensuring that the measurement gas is flowing through the transducer at all times for maximum reliability and safety. The remote relay box offers one flow status relay contact and one flow sensor system fault relay contact, for maximum diagnostic coverage. Suitable for installation in non-hazardous and hazardous areas - ATEX Cat. 3, IECEx Zone 2, cCSAus Cl 1, Div 2.
Sample probes	A range of sample probes are available for use in different sampling environments. For samples with a relatively low dust loading (<0.2 g/m <sup>3</sup> ) open-ended probes are available in stainless steel, high temperature alloy, and ceramic materials suitable for a range of temperatures up to 1,750°C (3,182°F). Filtered probes are also available for samples with higher dust loading (up to 20 g/m <sup>3</sup> ) and temperatures below 1,500°C (2,732°F). The stainless steel filtered probe can also be supplied with additional mechanical support and shroud. (Note: for higher dust loadings and temperatures, and for special probes, refer to Servomex).
Internal filter and flame traps	Internal filter and flame traps: The analyzer is supplied fitted with flame arrestors and an internal filter as standard. (Note: the analyzer is not suitable for use with flammable samples).
Electrical threaded entries	Choose from 3/4" NPT, M20, M25, PG13.5 or PG21 entries. Select entry size to suit cables and glands used.
Sensor head enclosure	The analyzer sensor head is fitted with a breather fitting to prevent pressurization of the enclosure. These can be replaced with fittings for the addition of a corrosive or pz purge for the sensor head and terminal box, if required.
Sensor head mounting option	There are six sensor head mounting options: A standard mounting option, a probe retention option which allows the sensor head to be removed whilst the sample probe is retained within the flue, a thermal spacer which separates the sensor head from the flue wall with a high surface temperature (350°C to 500°C), a stand-off flange which increases the separation between the sensor head and the heat radiation from the flue wall (350°C to 500°C), a combined thermal spacer and probe retention and a combined probe retention and stand-off flange.
Adaptor flange option	The sensor head is supplied with an equivalent PCD 4" ANSI 150lbs flange as standard. Adaptors are available to suit other flange sizes. The analyzer is not designed to withstand 150lbs pressure. The flue pressure should be a maximum of 5psig.
Control unit enclosure option	The analyzer can be fitted with blanking plugs, a breather port or fittings to allow the use of a corrosive purge system.
Utilities	A utilities unit can be configured with one or more of the following: Aspirator air set - provides filtration and pressure regulation of the compressed air for the aspirator in the analyzer. Autocalibration - provides the necessary components to allow automatic calibration of the analyzer with calibration gases (not supplied). Manual calibration - provides the necessary components to allow manual calibration of the analyzer with calibration gases (not supplied). Blowback - provides the necessary components to allow the blowback of the sample probe and internal filter. When nitrogen aspiration is used the calibration versions of the utilities units cannot be used.



CONFIGURATION OPTIONS		
Controller options	Safe Area <input type="checkbox"/>	
	Hazardous Area ATEX Cat 3 <input type="checkbox"/>	
	Hazardous Area IECEx Zone 2 <input type="checkbox"/>	
	Hazardous Area cCSAus Cl 1, Div 2 <input type="checkbox"/>	
Sensor head options	Safe Area <input type="checkbox"/>	
	Hazardous Area ATEX Cat 3 <input type="checkbox"/>	
	Hazardous Area IECEx Zone 2 <input type="checkbox"/>	
	Hazardous Area cCSAus Cl 1, Div 2 <input type="checkbox"/>	
Sensor head purge option	Not required or supplied by others <input type="checkbox"/>	
	Servomex MiniPurge ATEX Cat. 3/IECEx Zone 2 <input type="checkbox"/>	
	Servomex MiniPurge cCSAus Cl 1, Div 2 <input type="checkbox"/>	
Measurement	O <sub>2</sub> <input type="checkbox"/> Oxygen and combustibles <input type="checkbox"/>	
Combustible sensors	High sensitivity <input type="checkbox"/> Sulfur resistant <input type="checkbox"/>	
Flow alarm	Not required <input type="checkbox"/>	
	Safe area <input type="checkbox"/>	
	Hazardous Area ATEX Cat 3 <input type="checkbox"/>	
	Hazardous Area IECEx Zone 2 <input type="checkbox"/>	
	Hazardous Area cCSAus Cl 1, Div 2 <input type="checkbox"/>	
Aspirator supply	Air <input type="checkbox"/> N <sub>2</sub> <input type="checkbox"/>	
Supply voltage	110-120V <input type="checkbox"/> 220-240V <input type="checkbox"/>	
Enhanced environmental protection	<input type="checkbox"/>	
Standard sample probes	SS sample probe, unsupported, open ended <700°C/1,292°F <input type="checkbox"/>	0.5 <input type="checkbox"/> 1.0 <input type="checkbox"/> 1.5 <input type="checkbox"/> 2.0 <input type="checkbox"/> 2.5 <input type="checkbox"/> 3.0 <input type="checkbox"/> Length (m)
	SS sample probe, unsupported, filtered <700°C/1,292°F <input type="checkbox"/>	<input type="checkbox"/> ✓ ✓ ✓ * <input type="checkbox"/>
	SS sample probe, supported, filtered with shroud <700°C/1,292°F <input type="checkbox"/>	<input type="checkbox"/> ✓ ✓ ✓ ✓ ✓ ✓
	SS sample probe, supported, dual filtered, with shroud <700°C/1,292°F <input type="checkbox"/>	<input type="checkbox"/> ✓ ✓ ✓ ✓ ✓ ✓
	High temperature alloy, unsupported, open ended, <1,000°C/1,832°F <input type="checkbox"/>	<input type="checkbox"/> ✓ ✓ * * <input type="checkbox"/>
	High temperature alloy, unsupported, filtered, <1,000°C/1,832°F <input type="checkbox"/>	<input type="checkbox"/> ✓ ✓ * * <input type="checkbox"/>
	Ceramic, sample probe, open ended, <1,750°C/3,182°F <input type="checkbox"/>	<input type="checkbox"/> ✓ ✓ <input type="checkbox"/> <input type="checkbox"/> <input type="checkbox"/>
	Ceramic, sample probe, unsupported, filtered, <1,500°C/2,732°F <input type="checkbox"/>	<input type="checkbox"/> ✓ ✓ <input type="checkbox"/> <input type="checkbox"/> <input type="checkbox"/>
	Hastelloy, sample probe, unsupported, open <500°C/932°F <input type="checkbox"/>	<input type="checkbox"/> ✓ ✓ ✓ <input type="checkbox"/> <input type="checkbox"/>
	Non standard probes * <input type="checkbox"/>	<input type="checkbox"/>
	* For lengths, materials (including Hexoloy), and temperatures consult Servomex	
Electrical threaded entries	3/4" NPT (standard) <input type="checkbox"/>	
	M20 <input type="checkbox"/>	
	M25 <input type="checkbox"/>	
	PG13.5 <input type="checkbox"/>	
	PG21 <input type="checkbox"/>	
Sensor head enclosure	Breather fittings <input type="checkbox"/>	
	Corrosive purge fittings <input type="checkbox"/>	
	Hazardous area purge entries <input type="checkbox"/>	
Sensor head mounting option	Standard (4" ANSI 150lbs) <input type="checkbox"/>	
	Probe retention (excluding supported probes) <input type="checkbox"/>	
	Thermal spacer (excluding supported probes) <input type="checkbox"/>	
	Probe retention & thermal spacer (excluding supported probes) <input type="checkbox"/>	
	High temperature stand-off (excluding supported probes) <input type="checkbox"/>	
	High temperature stand-off & probe retention (excluding supported probes) <input type="checkbox"/>	
Adaptor flange option	None (4" ANSI 150lbs) <input type="checkbox"/>	
	3" ANSI 150lbs equivalent <input type="checkbox"/>	
	DIN 65 equivalent <input type="checkbox"/>	
	DIN 80 equivalent <input type="checkbox"/>	
	JIS 65 equivalent <input type="checkbox"/>	
	JIS 80 equivalent <input type="checkbox"/>	
	Weld-on flange complete with studs (4" ANSI 150lbs equivalent) <input type="checkbox"/>	
	Model 700B/N to 2700 adaptor flange (excluding high temperature stand off) <input type="checkbox"/>	
	Thermox to 2700 adaptor flange (excluding supported probes) <input type="checkbox"/>	

Option not available





CONFIGURATION	
<b>Control unit enclosure option</b>	Blanking plugs only <input type="checkbox"/> Breather port <input type="checkbox"/> Corrosive purge fittings <input type="checkbox"/>
<b>Utilities panel</b>	None <input type="checkbox"/> Air set (oxygen only) <input type="checkbox"/> Autocal air set      single <input type="checkbox"/> dual <input type="checkbox"/> Autocal and blowback   single <input type="checkbox"/> dual <input type="checkbox"/> Manual cal, single/dual <input type="checkbox"/>
<b>User manual</b>	The FluegasExact Analyzer is supplied with a Quickstart™ and installation manual. English <input type="checkbox"/>
<b>Service manual</b>	A service manual containing technical descriptions, fault diagnosis information, parts removal, refitting and test instructions, tool and test equipment lists, and electrical drawings is available. It is intended for use by Servomex trained service personnel. Not required <input type="checkbox"/> English <input type="checkbox"/>
<b>Default software interface language</b>	The analyzer is supplied with English, French and German software installed. The active language is user selectable. The default software interface language will be active when the analyzer is shipped. English <input type="checkbox"/> French <input type="checkbox"/> German <input type="checkbox"/>

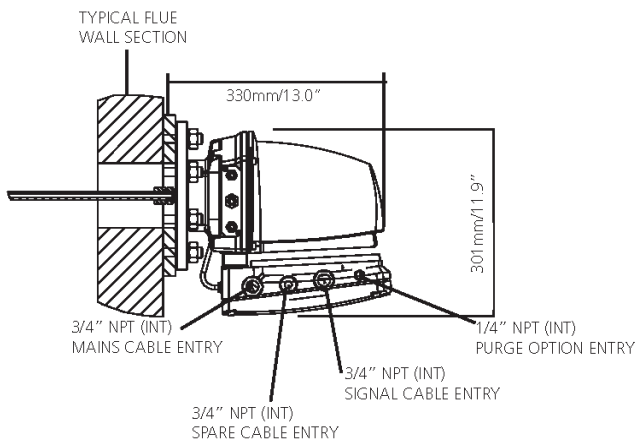
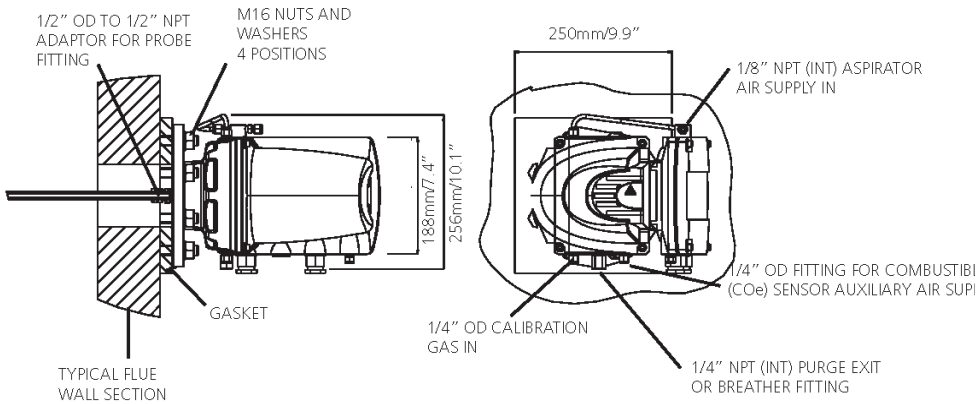
N.B Not all options are compatible with each other.



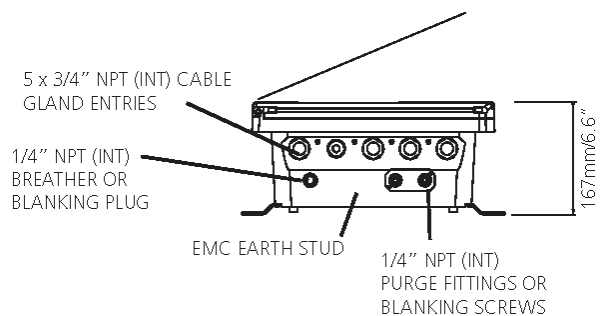
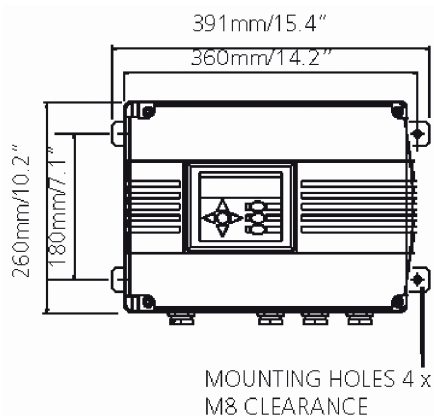
## DIMENSIONAL DRAWINGS

### SENSOR HEAD

Typical analyzer mounting orientation with 4" ANSI flange. Other flanges are available



### CONTROL UNIT

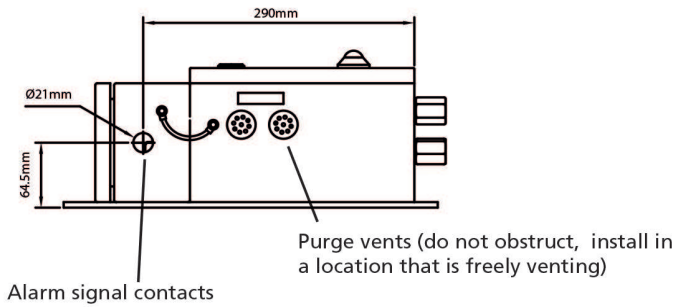
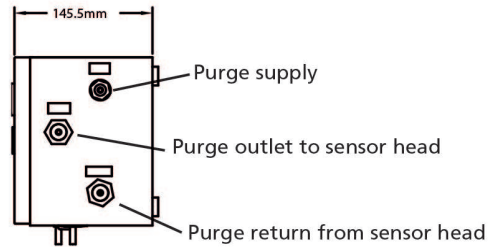
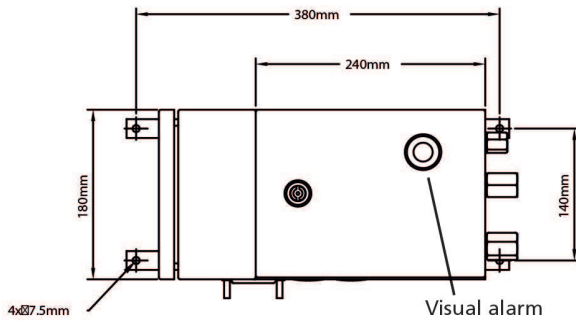


SERVICE ACCESS REQUIRED FOR DOOR TO BE OPENED:  
 365mm/14.4" IN FRONT  
 250mm/9.9" TO LEFT HAND SIDE



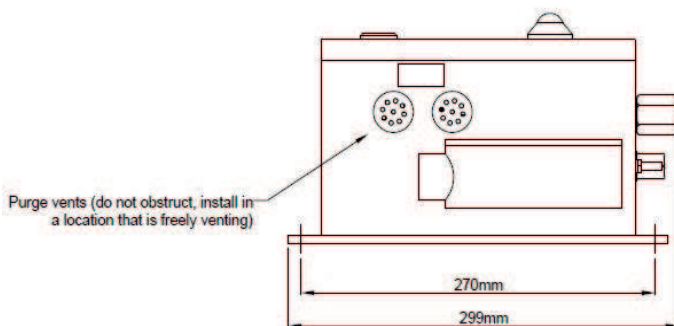
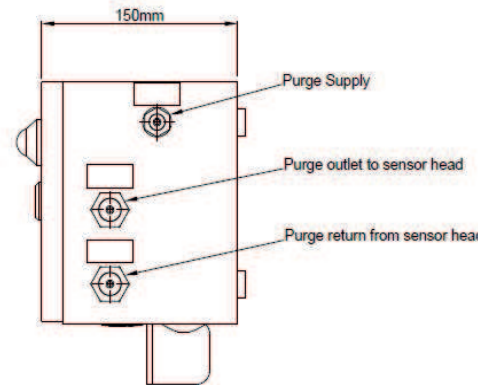
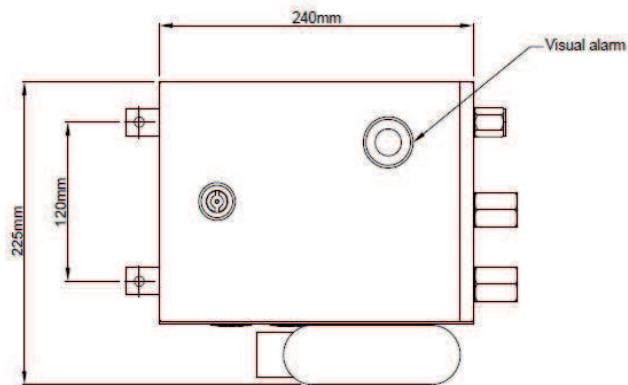
## SERVOMEX MINI PURGE

### ATEX & IECEx version



For installation details and certification information consult Servomex

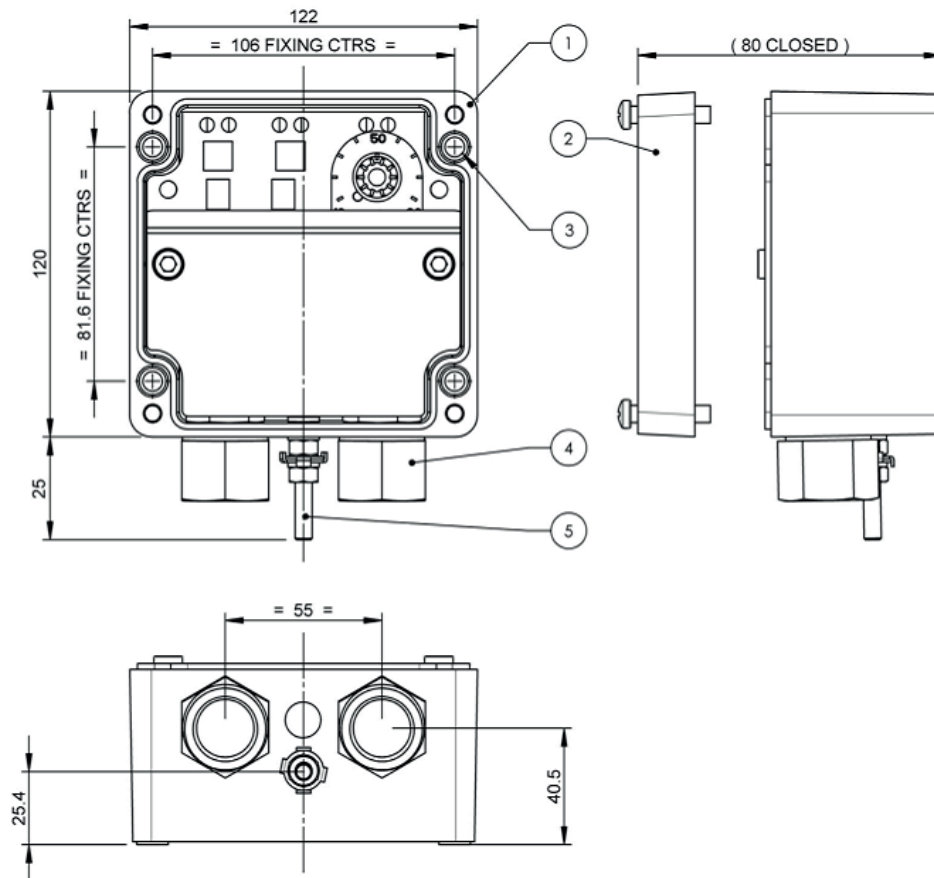
### North American version



For installation details and certification information consult Servomex

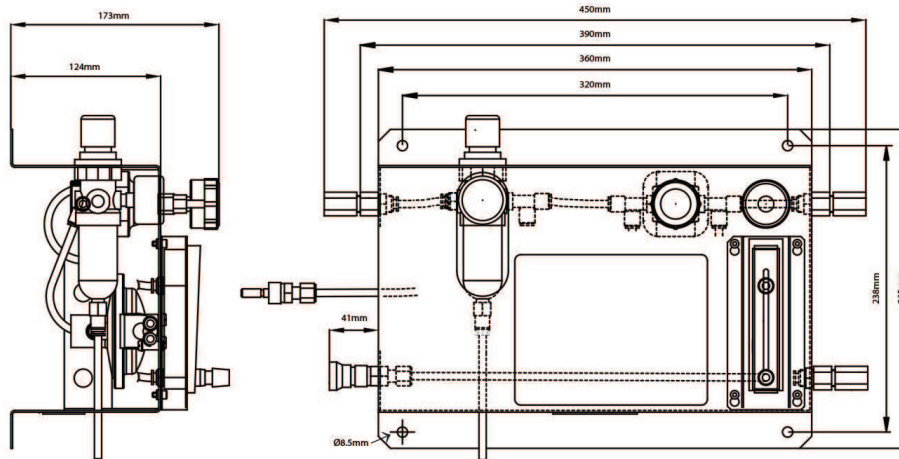


## FLOW ALARM RELAY BOX

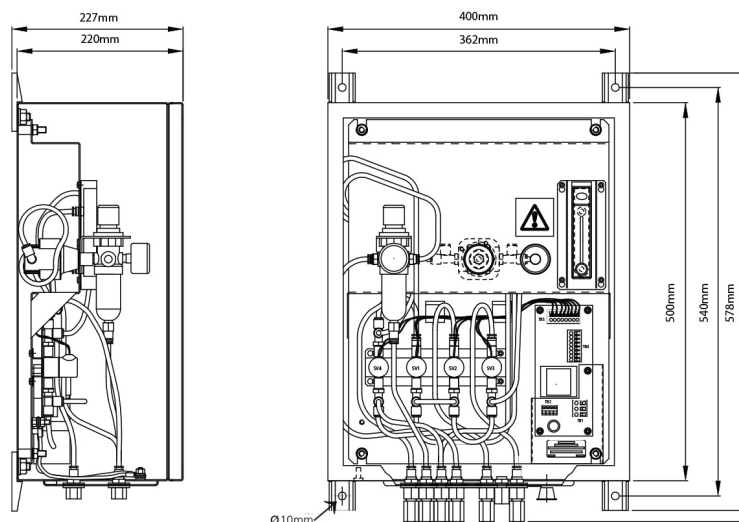


## UTILITIES PANEL

<b>MANUAL UTILITIES PANEL</b>	
Specification temperature	Operating: -10°C to +50°C (+14°F to +122°F) Storage: -20°C to +55°C (-4°F to +131°F)
Compressed air & blowback air requirements	Pressure: 1 to 5 barg (15 to 72.5 psig) Flow: 4.5 to 10 l/min Instrument grade compressed air*, free of oil, water & dirt
Utilities units	02730731 Aspirator air set and manual calibration, single or dual sensors W 390mm x D 174mm x H 265mm (W 15.5" x D 6.8" x H 10.4"), <4.5kgs (<10lbs) 02730701 Aspirator air set, single or dual sensor W 93mm x D 99mm x H 165mm (W 3.7" x D 3.9" x H 6.5"), <400gms (<1.0lbs)



<b>AUTOCALIBRATION/BLOWBACK UTILITIES PANEL</b>	
Aspirator air set and automatic calibration units **	02730711 (single sensor), 02730721 (single sensor, with blowback), 02730713C (dual sensor), 02730723C (dual sensor, with blowback) W 400mm x D 220mm x H 500mm (W 16" x D 9" x H 20") <16kgs (<35lbs)
Ingress protection	IP65/NEMA 12 (Auto cal. units only)
Power supply	100V ac, 50/60Hz <20VA; 110-120V AC 50/60Hz <20VA or 220-240V AC 50/60Hz <20VA (field configurable)



The nickel-plated brass bulkhead connections are suitable for 1/4" NPT and BSP male fittings & tubing. Internal components are brass, plastic fittings and tubing.

\* Or nitrogen, if analyzer equipped for nitrogen aspiration (single measurement oxygen units only)

\*\* The autocalibration versions of the utility units comply with the "CE Marking Directive"



# > WE'RE READY TO HELP

WHATEVER YOUR GAS ANALYSIS REQUIREMENTS, WHEREVER YOU ARE

**DASTEC** S.R.L.

**Representantes / Distribuidores Exclusivos**

 **Argentina**

Tel: (+54 11) 5352 2500

Email: [info@dastecsr.com.ar](mailto:info@dastecsr.com.ar)

Web: [www.dastecsr.com.ar](http://www.dastecsr.com.ar)

 **Uruguay** [www.dastecsr.com.uy](http://www.dastecsr.com.uy)

 **Paraguay** [www.dastecsr.com.py](http://www.dastecsr.com.py)

*These analyzers are not intended for any form of use on humans and are not medical devices as described in the Medical Devices Directive 93/42EEC.*

**Please note:** *Whilst every effort has been made to ensure accuracy, no responsibility can be accepted for errors and omissions.*

*Data may change, as well as legislation, and you are strongly advised to obtain copies of the most recently issued regulations, standards and guidelines.*

*This document is not intended to form the basis of a contract.*

Servomex has a policy of constant product improvement and reserves the right to change specifications without notice. © Servomex Group Limited. 2020.  
A Spectris company. All rights reserved.